

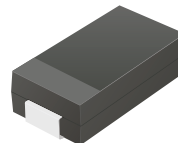
ACSFA103-HF

Reverse Voltage: 150 Volts

Forward Current: 1.0 Amp

RoHS Device

Halogen Free

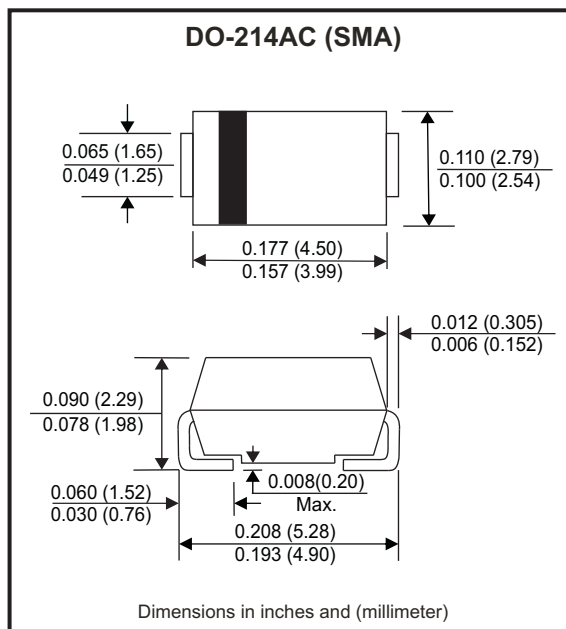


Features

- Glass passivation junction.
- High current capability.
- High surge current capability.
- Low reverse current.
- Comply with AEC-Q101

Mechanical data

- Case: DO-214AC / SMA, molded plastic.
- Epoxy: UL flammability classification rating 94V-0.
- Terminals: Lead free plating (Tin finish).
Solderable per MIL-STD-202, Method 208.
- Polarity: Cathode band.
- Weight: 0.062 grams(approx.).



Circuit diagram



Maximum Ratings (at TA=25°C unless otherwise noted)

Parameter	Symbol	ACSFA103-HF	Units
Max. repetitive peak reverse voltage	V_{RRM}	150	V
Max. DC blocking voltage	V_{DC}	150	V
Max. RMS voltage	V_{RMS}	105	V
Max. average forward rectified current	I_F	1.0	A
Peak forward surge current, 8.3ms single half sine-wave superimposed on rated load (JEDEC method)	I_{FSM}	30.0	A
Max. instantaneous forward voltage $I_F = 1A @ 25^\circ C$	V_F	0.98	V
Max. DC reverse current at rated DC blocking voltage	$T_A=25^\circ C$	I_R	5
	$T_A=100^\circ C$	I_R	100
Typical junction capacitance (Note 1)	C_J	20	pF
Max. reverse recovery time (Note 2)	T_{rr}	35	nS
Typical thermal resistance	$R_{\theta JC}$	60	$^\circ C/W$
Operating temperature range	T_J	-55 to +150	$^\circ C$
Storage temperature range	T_{STG}	-55 to +150	$^\circ C$

Notes: 1. Measured at 1.0MHZ and applied reverse voltage of 4.0V DC.
2. Measured with $I_F=0.5A$, $I_R=1.0A$, $I_{RR}=0.25A$.

Company reserves the right to improve product design , functions and reliability without notice.

REV: A

RATING AND CHARACTERISTIC CURVES (ACSFA103-HF)

Fig.1 - Typical Forward Current Derating Curve

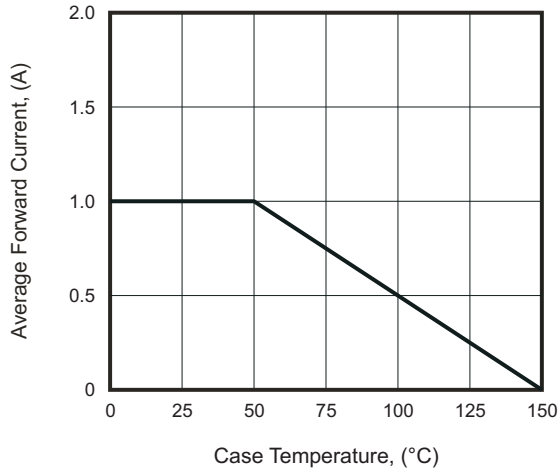


Fig.2 - Typical Forward Characteristics

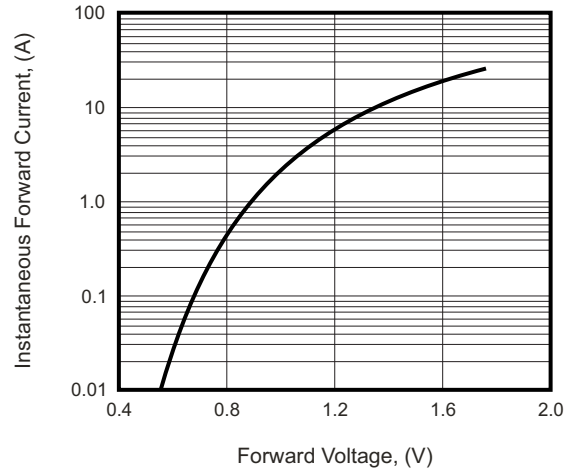


Fig.3 - Maximum Non-Repetitive Forward Surge Current

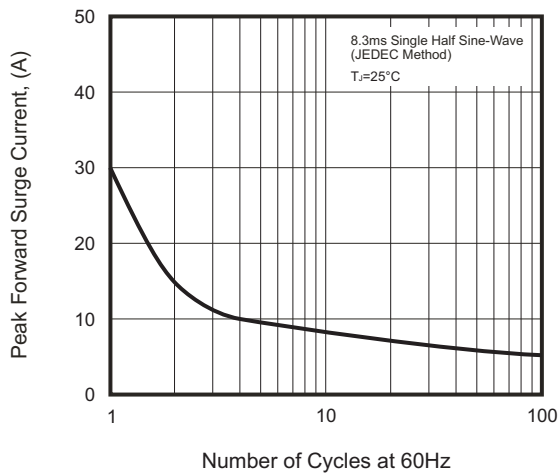


Fig.4 - Typical Reverse Characteristics

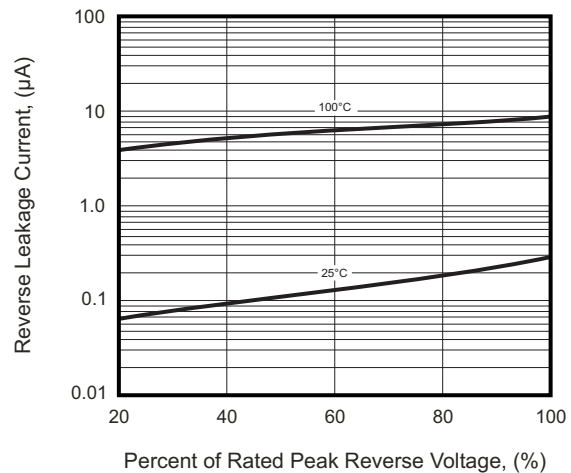


Fig.5 - Typical Junction Capacitance

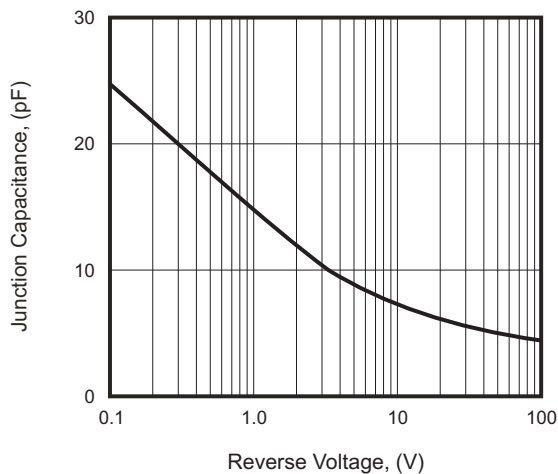
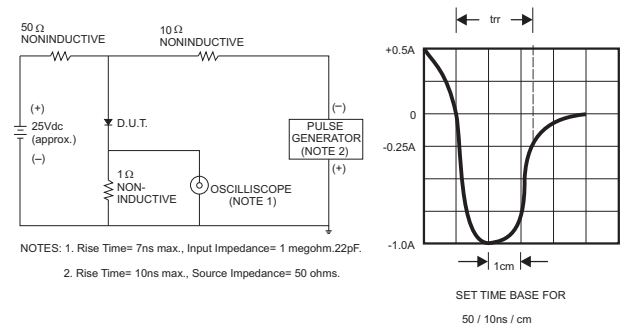


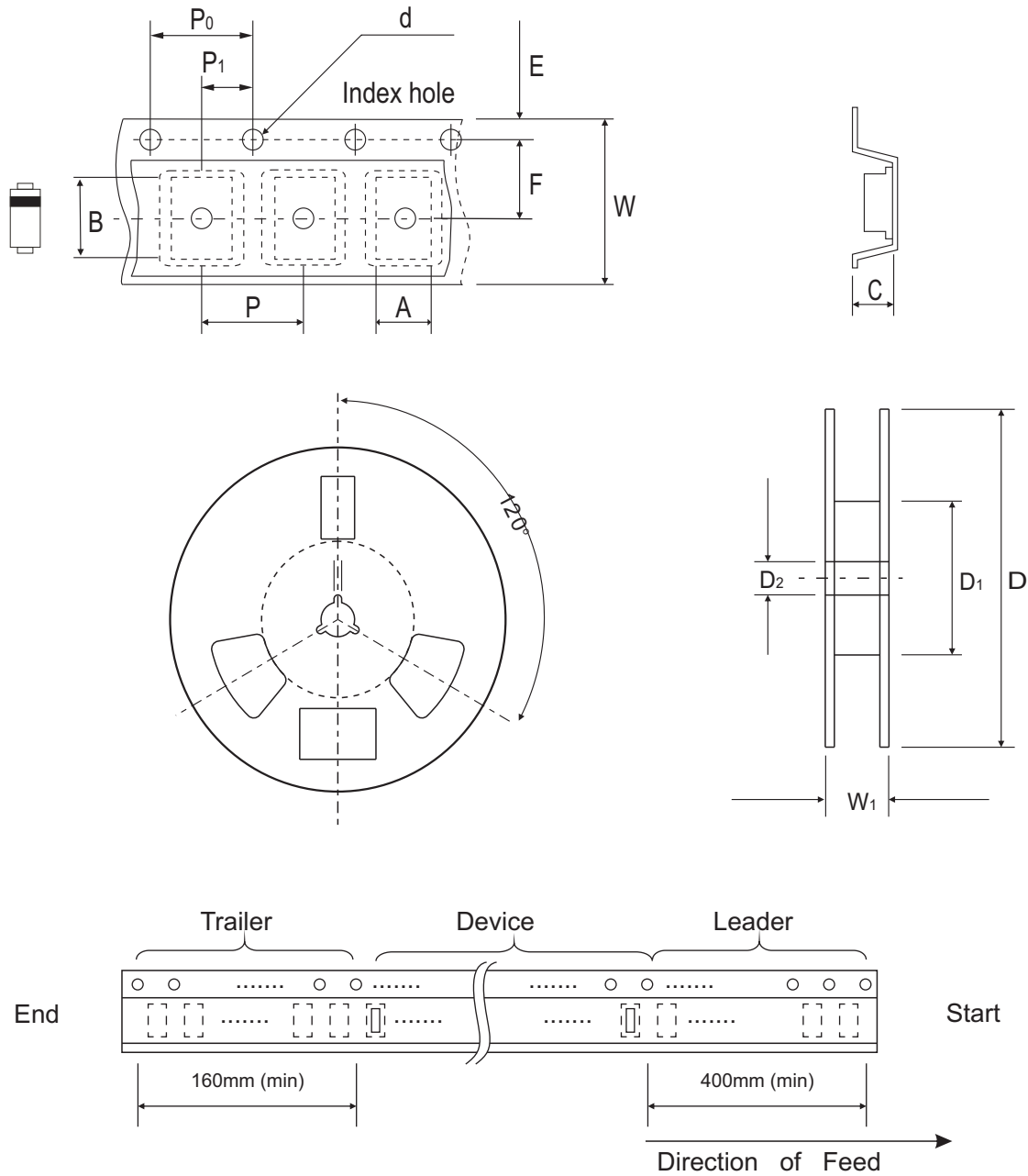
Fig.6 - Reverse Recovery Time Characteristics And Test Circuit



Company reserves the right to improve product design, functions and reliability without notice.

REV: A

Reel Taping Specification



DO-214AC (SMA)	SYMBOL	A	B	C	d	D	D ₁	D ₂
	(mm)	2.90 MAX.	5.90 MAX.	2.66 MAX.	1.50 ± 0.10	330 ± 2.00	50 MIN.	13.50 ± 1.00
	(inch)	0.114 MAX.	0.232 MAX.	0.105 MAX.	0.059 ± 0.004	13.00 ± 0.079	1.969 MIN.	0.531 ± 0.039

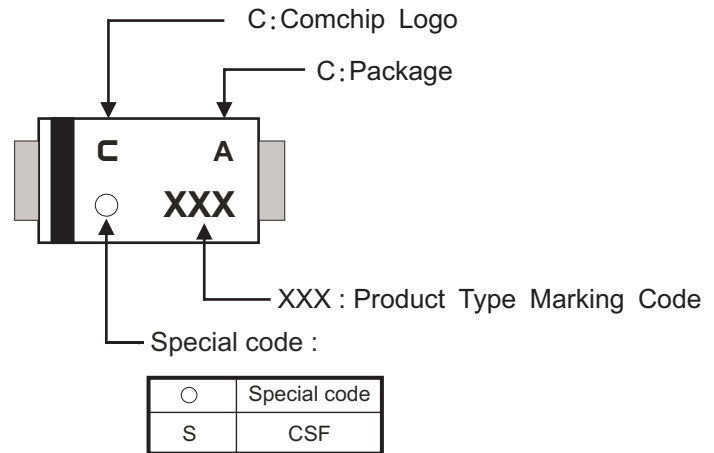
DO-214AC (SMA)	SYMBOL	E	F	P	P ₀	P ₁	W	W ₁
	(mm)	1.75 ± 0.10	5.50 ± 0.05	4.00 ± 0.10	4.00 ± 0.10	2.00 ± 0.05	12.00 ± 0.30	18.40 MAX.
	(inch)	0.069 ± 0.004	0.217 ± 0.002	0.157 ± 0.004	0.157 ± 0.004	0.079 ± 0.002	0.472 ± 0.012	0.724 MAX.

Company reserves the right to improve product design, functions and reliability without notice.

REV: A

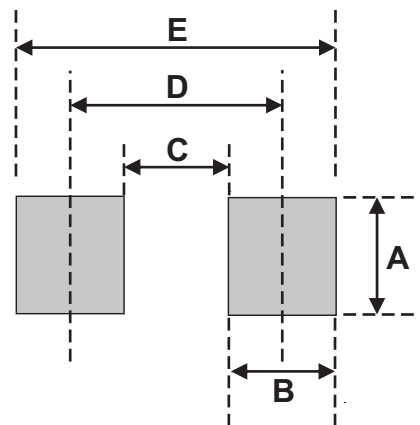
Marking Code

Part Number	Marking code
ACSF103-HF	103



Suggested PAD Layout

SIZE	DO-214AC (SMA)	
	(mm)	(inch)
A	1.70	0.067
B	2.50	0.098
C	1.50	0.059
D	4.00	0.157
E	6.50	0.256



Note:

1. The pad layout is for reference purposes only.

Standard Packaging

Case Type	REEL PACK	
	REEL (pcs)	Reel Size (inch)
DO-214AC (SMA)	5,000	13